

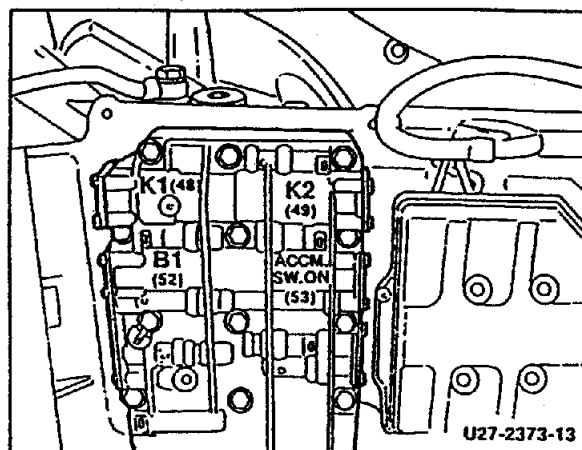
**Remedy:**  
Install modified spring kit in K1 accumulator (48) of valve body.

**Parts Information**

Part Name	Part Number
Spring kit, K1 accumulator (48)	126 270 44 77

**Work Instruction Recommendation:**  
Service Microfiche, Automatic Transmission 722.3 09/88 →, Group 27, Job 27-400.

**Damage Code:**  
27125 63.



*This topic was previously Administrative Message #361, August 1994.*

**Complaint Description:**

- Transmission fluid leakage due to gasket tearing or splitting along the side lengths, or rolling inward at the forward corners.
- This complaint can typically occur approx. one week after transmission servicing at the 30k or 60k maintenance service.

**Cause:**

Transmission oil pan gasket, part no. 126 271 10 80.

**Remedy:**

Replace transmission oil pan gasket. Refer to Parts Information listed below.

Transmission oil pan bolt tightening torque: 8 Nm

**Parts Information**

Part Number	Part Name	Application	Quantity
126 271 11 80	Transmission oil pan gasket	Transmissions 722.3, 722.5	1

**Damage Code:**  
27413 04