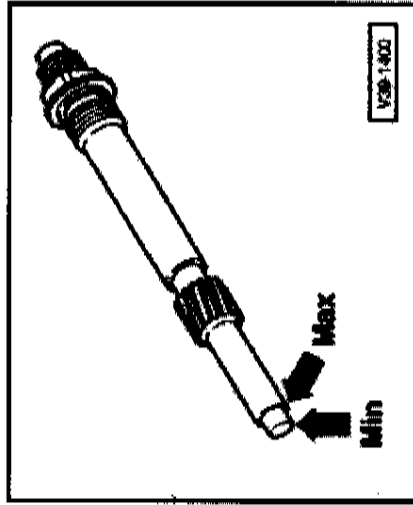


## Final drive oil level, checking

Oil level is checked with transmission installed

◀ Difference between Min./Max. is 0.1 L (0.105 qt). Excess oil can be drawn off using extraction system VAG 1358A.



### Checking:

- Remove speedometer shaft and clean.
- Install and remove speedometer shaft and, if necessary, correct oil level.
- Final drive oil level must be between Min./Max.

**Specification and capacity of final drive ⇒ Page 00-16**